



NOVOSBED

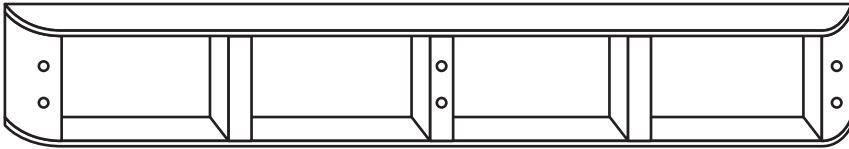
MEMORY FOAM

WOOD FOUNDATION ASSEMBLY INSTRUCTIONS

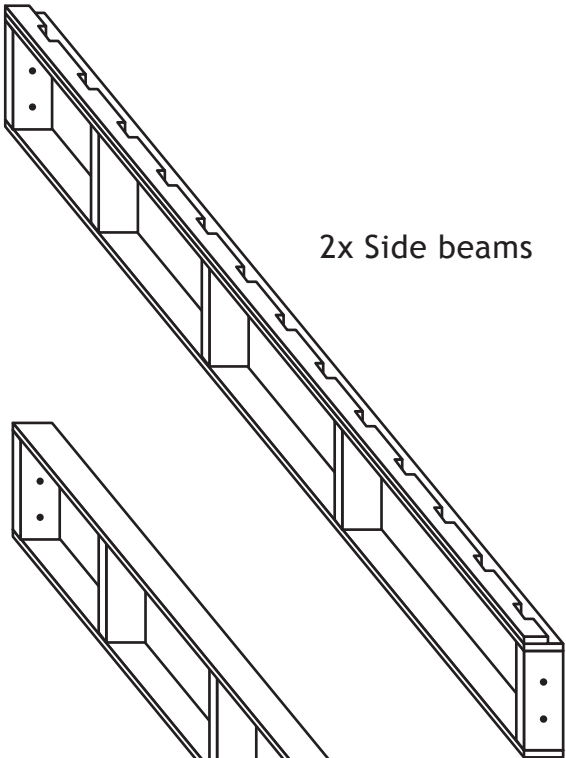
CONTENTS



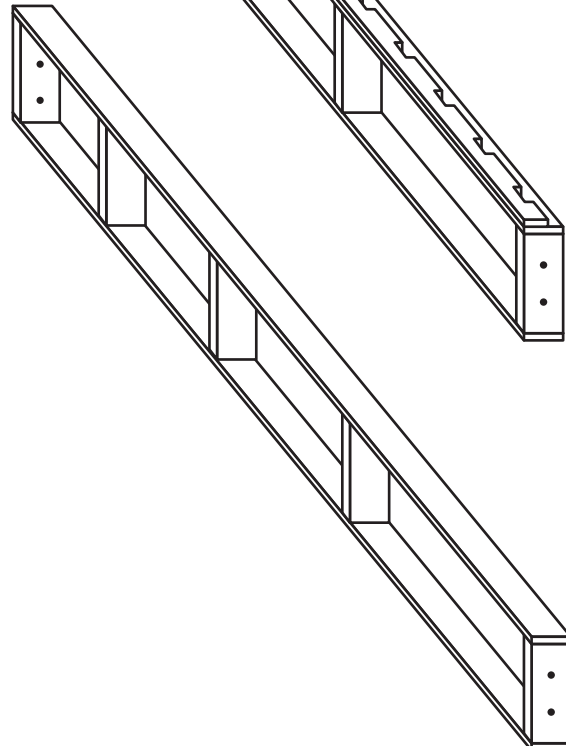
13x Slats



2x Head/foot beams



2x Side beams



12x Wing nuts



12x Bolts



12x Washers



30x Screws

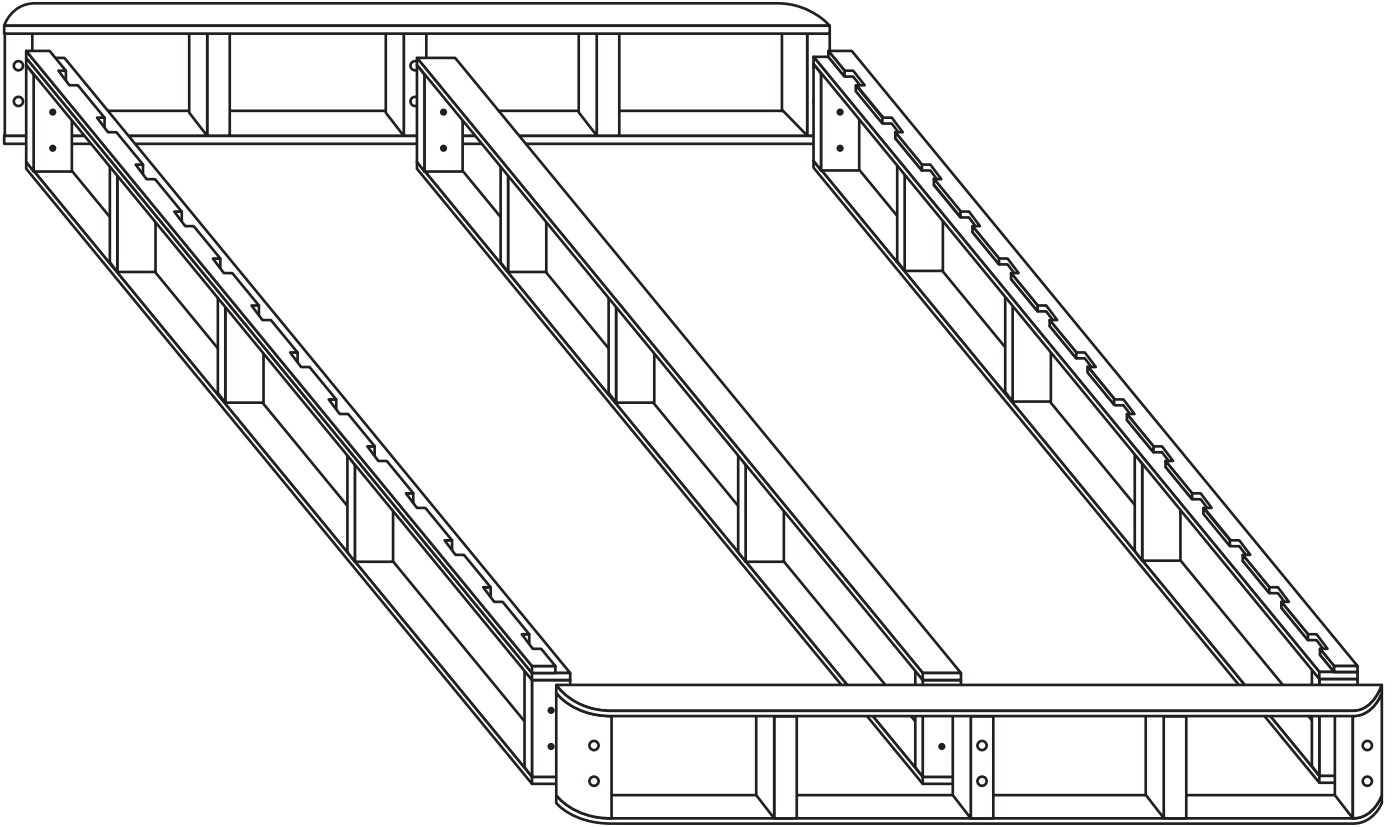
Not included:



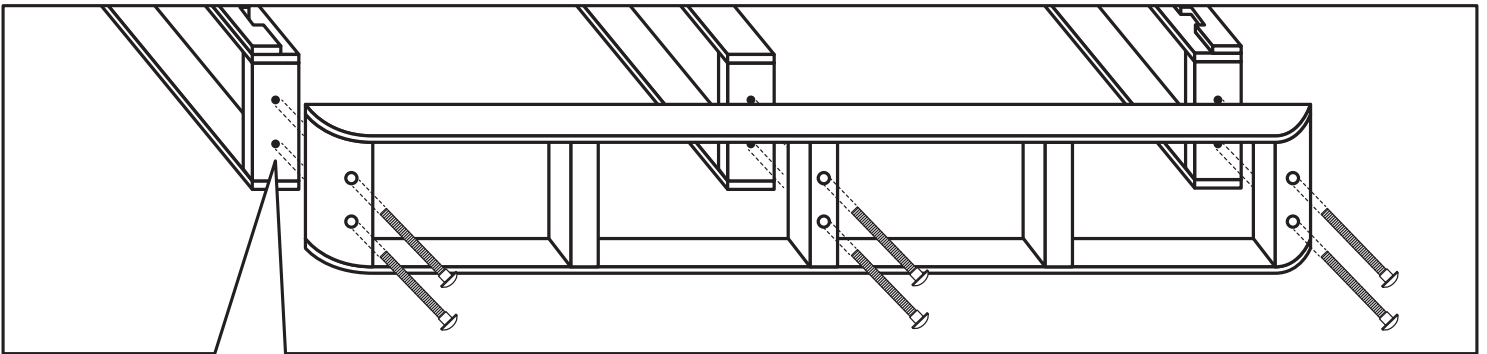
Center support beam(s)*

Twin Size: no center support beam
Twin XL Size: no center support beam
Double Size: no center support beam
Queen Size: 1x center support beam
King size: 2x center support beam

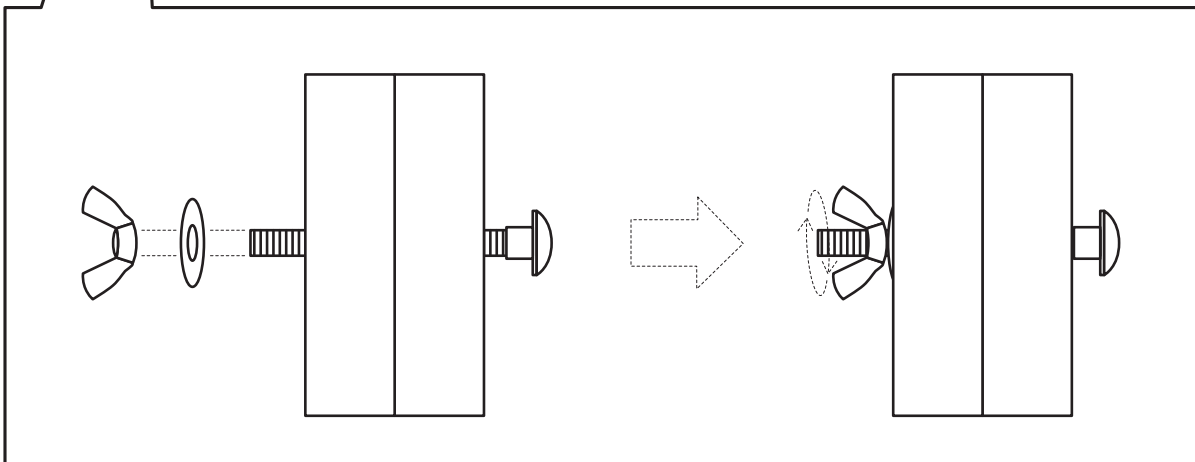
Step 1. Line up beams.



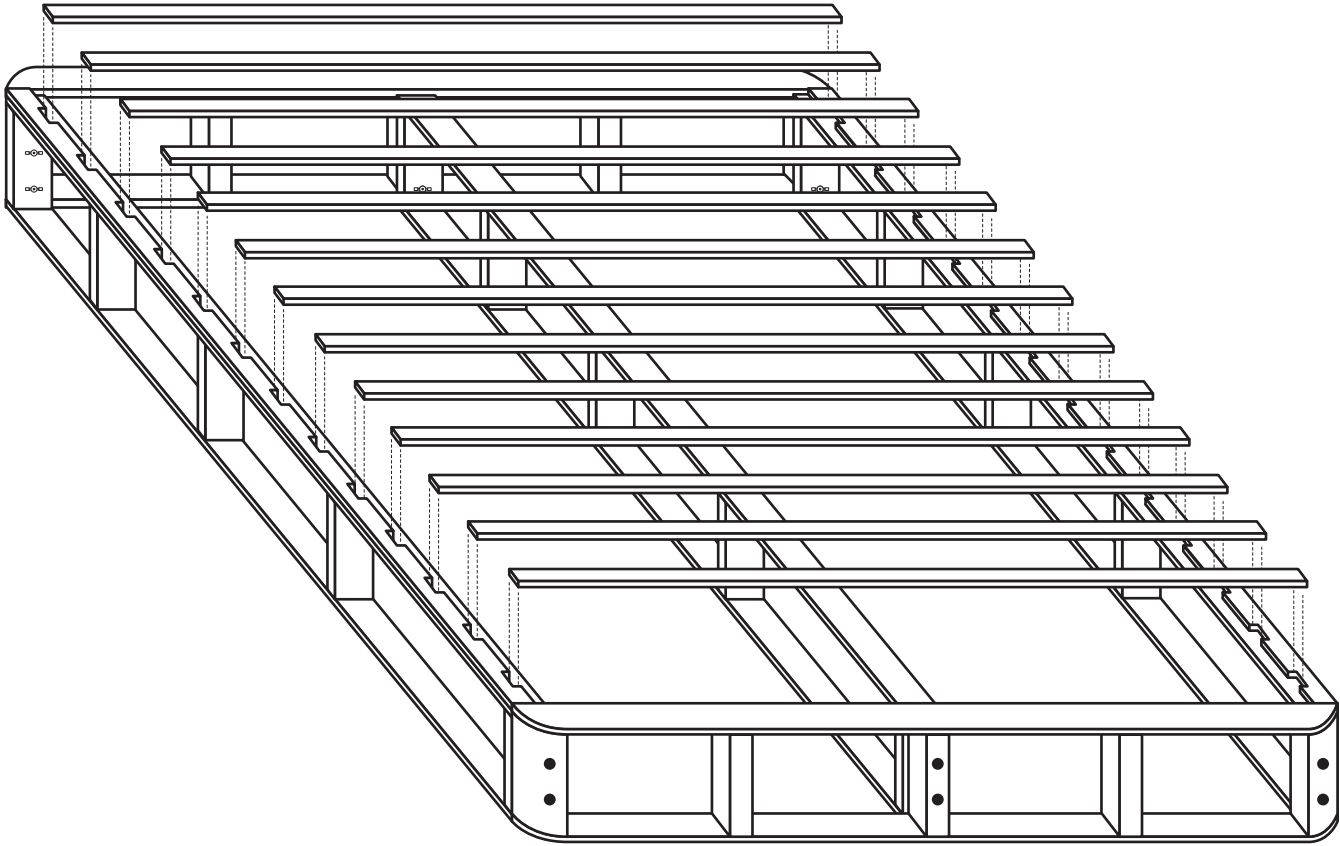
Step 2. Insert bolts through holes of head and foot beams into side and center support beams.



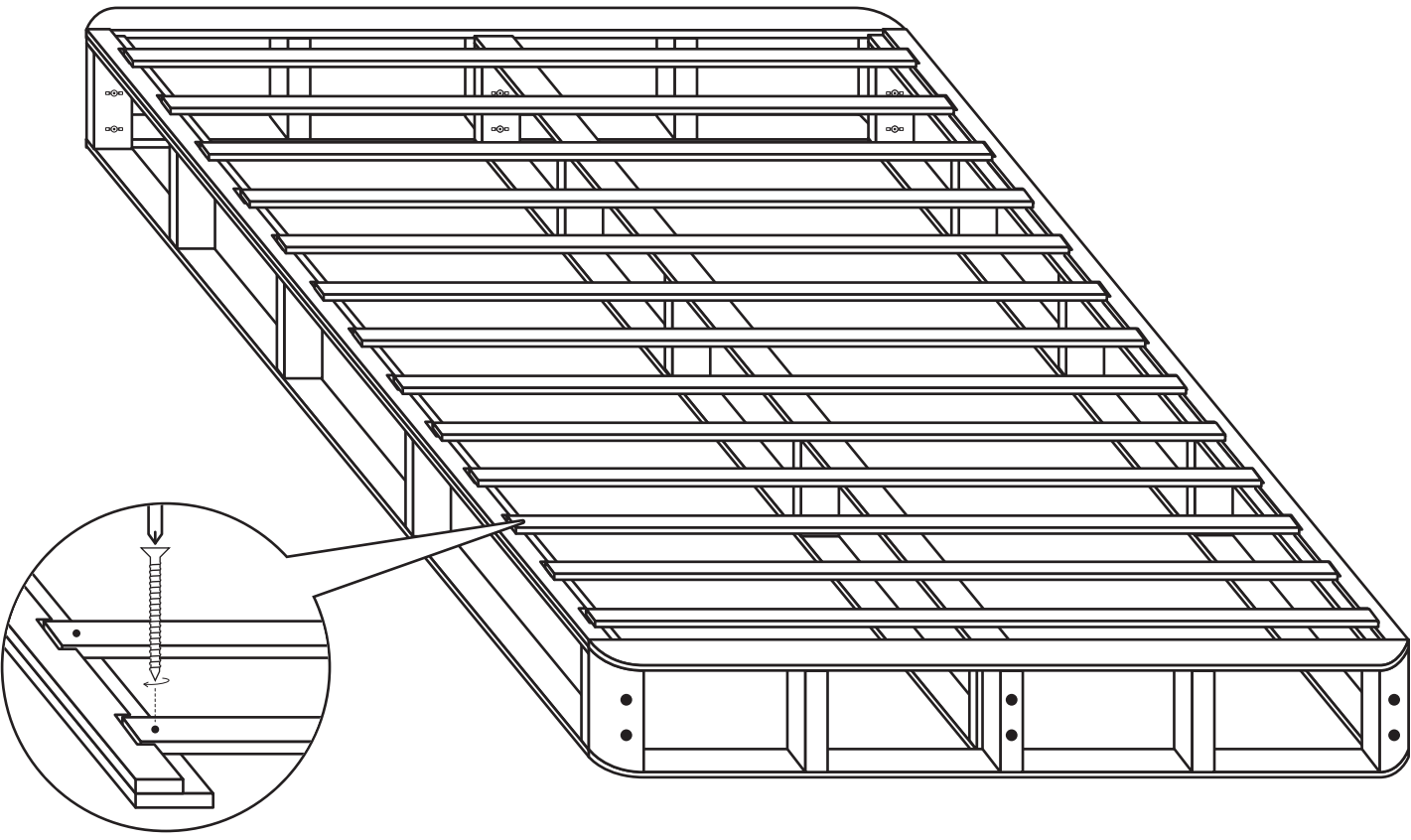
Place washer onto end of bolt, followed by wing nut. Tighten.



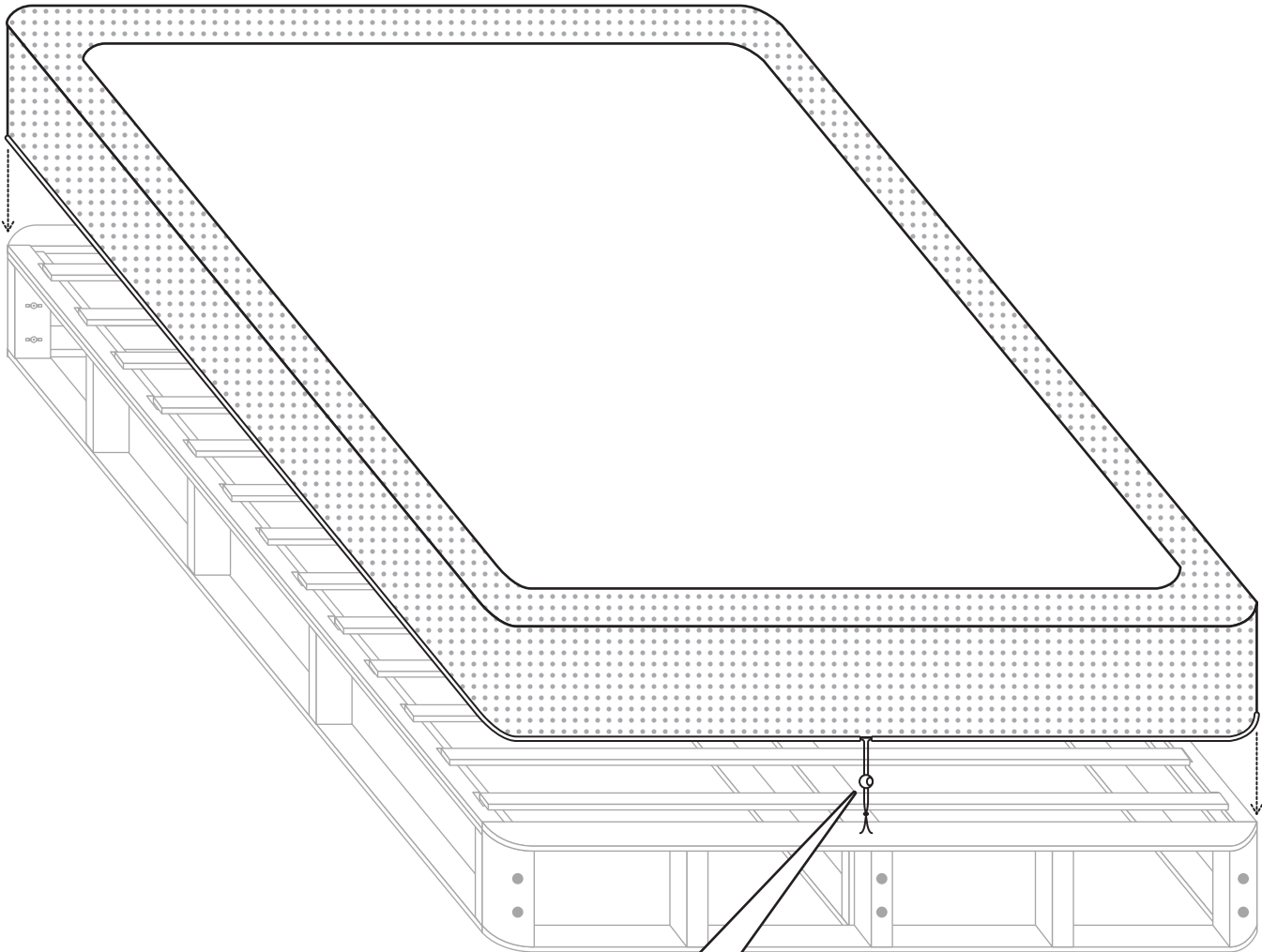
Step 3. Place slats onto frame.



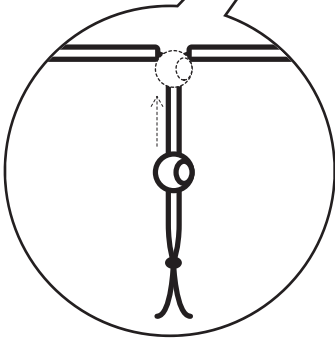
Step 4. Secure each slat with a screw on each end.



Step 5. Place cover over frame.



Step 6. Tighten drawstring to secure.



Step 7. Place foundation on bed frame. It is now ready for your Novosbed mattress!

