
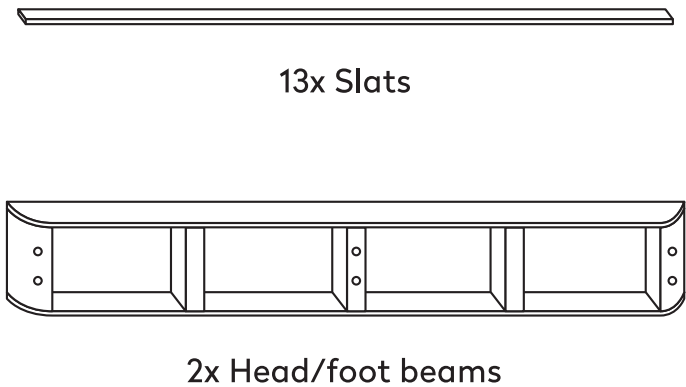


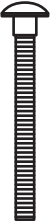
NOVOSBED

WOOD FOUNDATION ASSEMBLY INSTRUCTIONS


CONTENTS




12x Wing nuts



12x Bolts

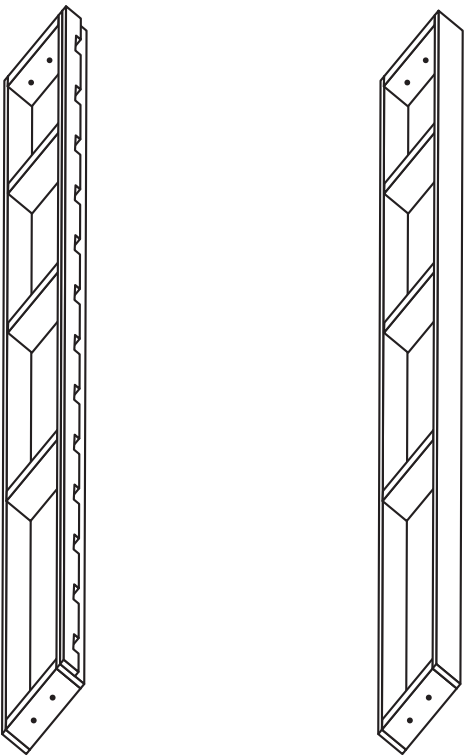



12x Washers



39x Screws

Not included:



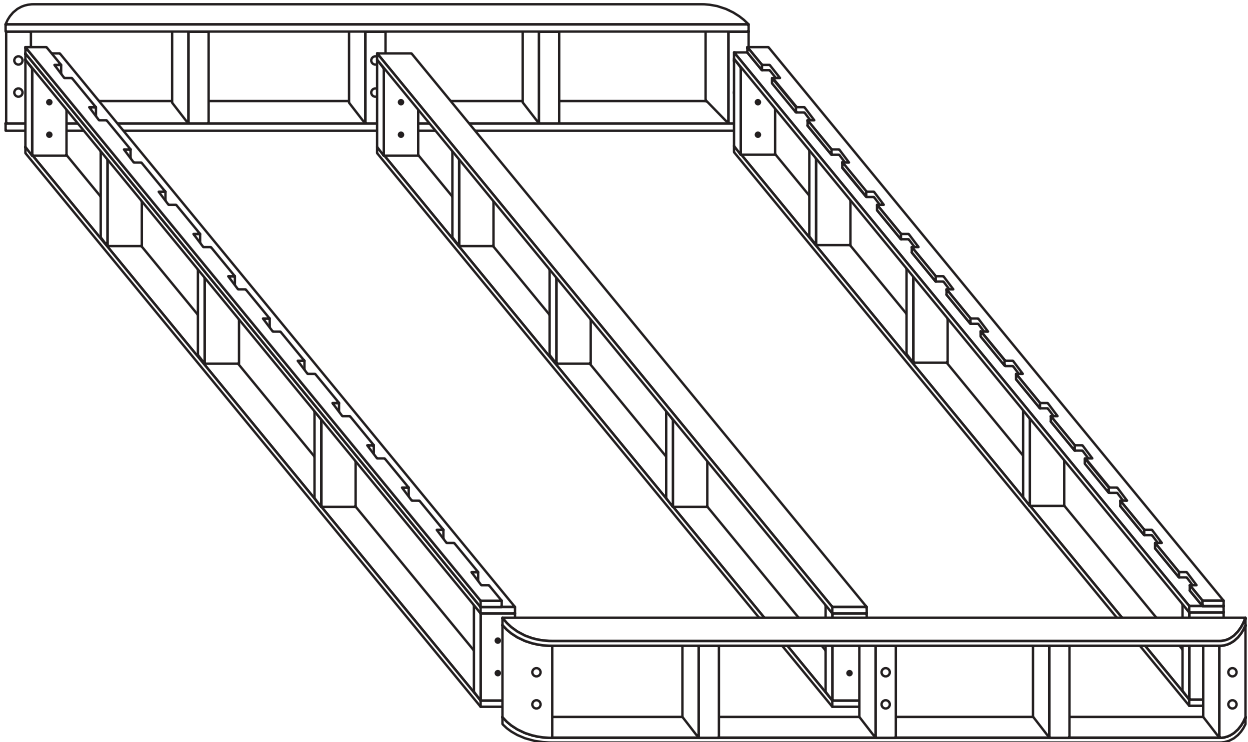
2x Side beams

Center support beam(s)

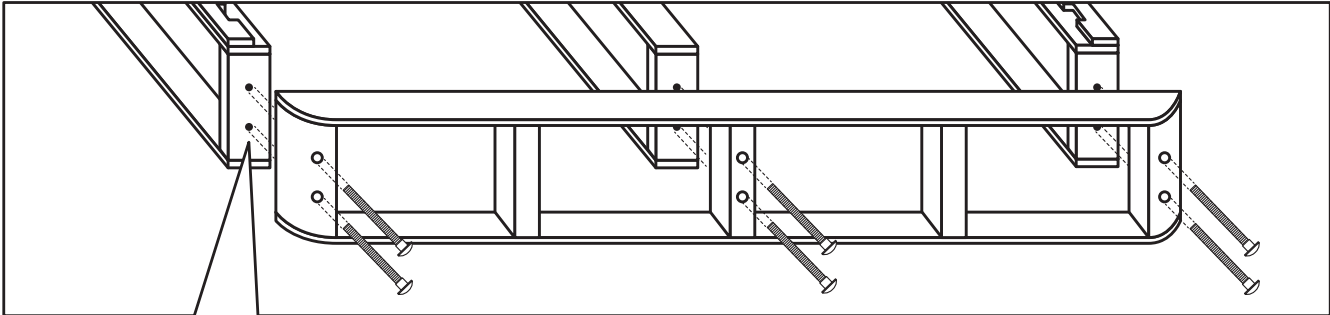
Important Note

Twin Size:	no center support beam
Twin XL Size:	no center support beam
Double Size:	1x center support beam
Queen Size:	1x center support beam
King size:	2x center support beams
Cal King size:	2x center support beams

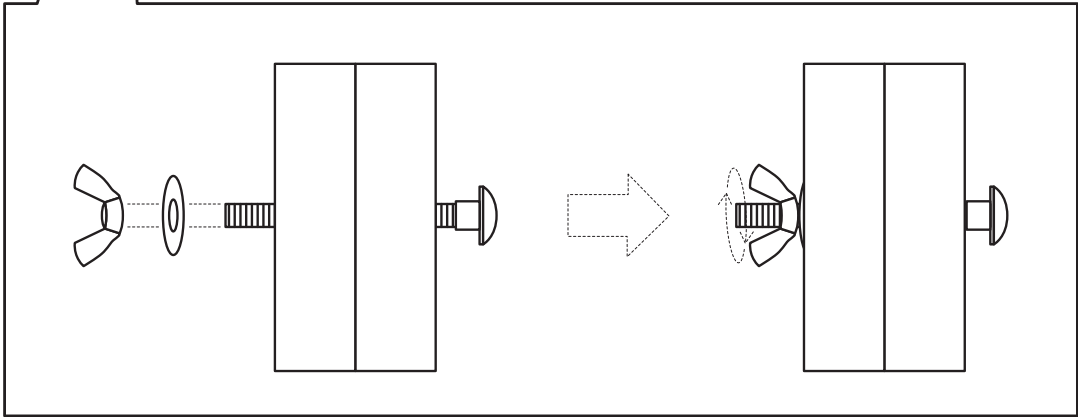
Step 1. Line up beams.



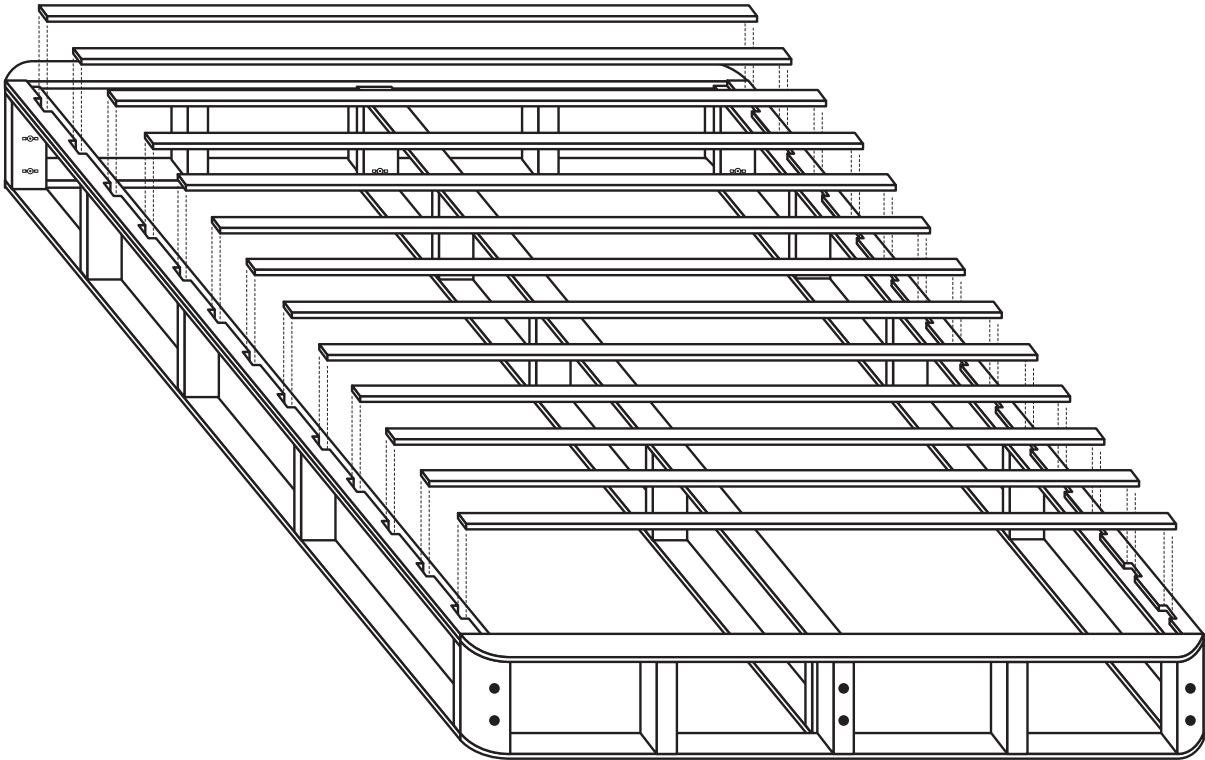
Step 2. Insert bolts through holes of head and foot beams into side and center support beams.



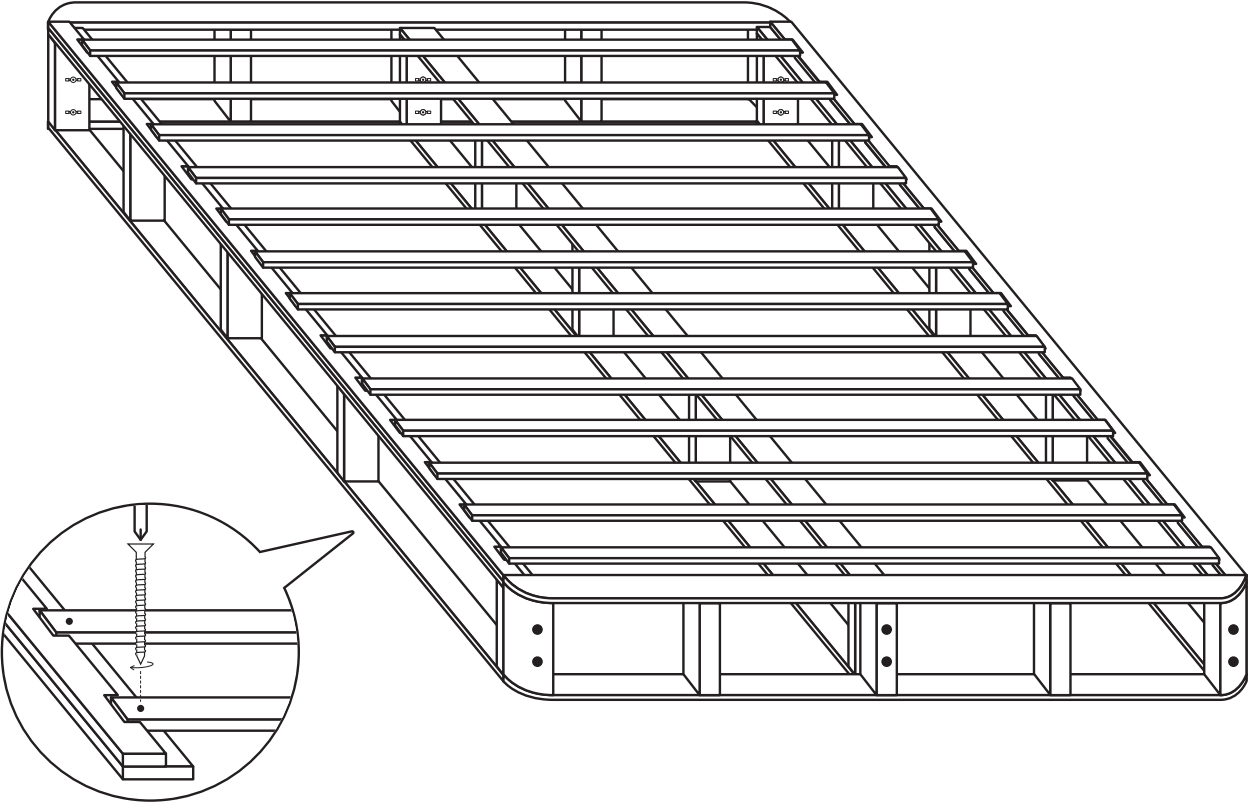
Place washer onto end of bolt, followed by wing nut. Tighten.



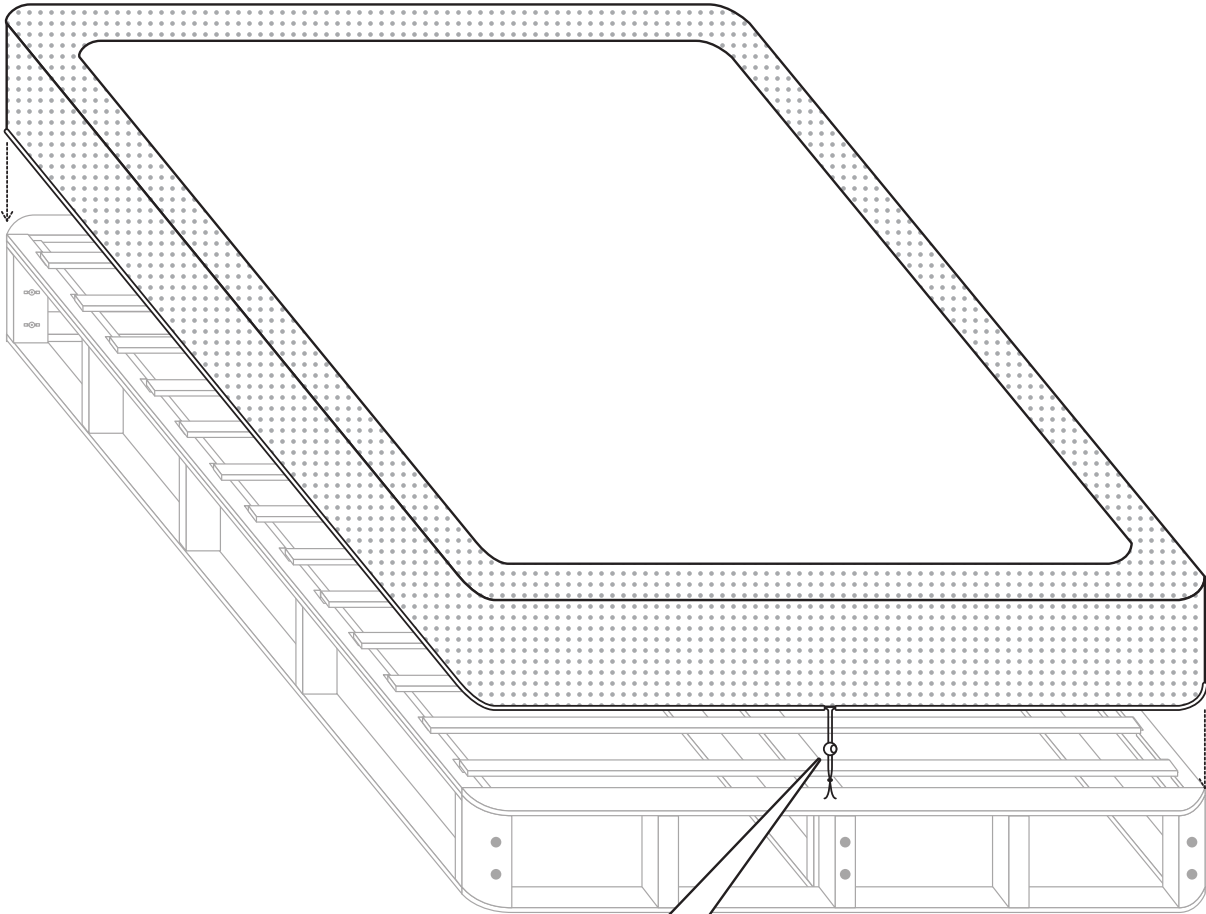
Step 3. Place slats onto frame.



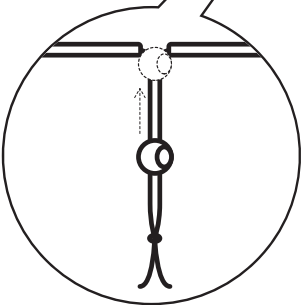
Step 4. Secure each slat with a screw on each end. On Full/Double, Queen, King, and Cal King sizes, also screw each slat to center support beam.



Step 5. Place cover over frame.



Step 6. Tighten drawstring to secure.



Step 7. Place foundation on bed frame. It is now ready for your Novosbed mattress!

